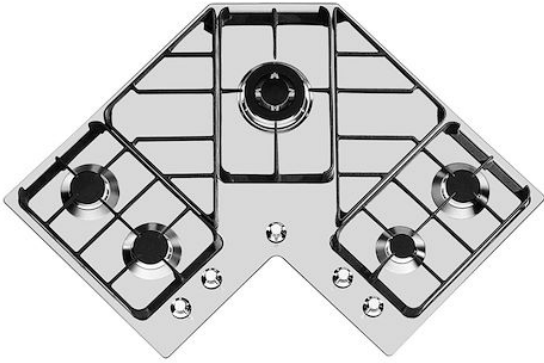


Cooker hob Angolare

Gas hobs

Code: 7038 052



DETAILS

Edge/Installation Type Standard (8 mm Edge)

Finish Foster brushed

Material AISI 304 stainless steel

Texture Brushed in line

Supply 220 - 240 V; 50/60 Hz

Dimensions 830x830 mm

Base size 83cm

Full description Angular gas hob 83x83 cm - 5 burners - STD edge - for standard built in installation

Heating element Five burners

Built-in hole

[View technical data sheet](#)

Grids

Cast iron grids and enamelled burner covers

Total power

9.750 W

Auxiliary

1.000 W

Semirapid

3x1.750 W

Triple crown

3.500 W

Safety

Safety valve with quick-acting thermocouple

Ignition

Electric ignition under knob

Gas type

Tested for installation with natural gas, LPG nozzle set included.

Type

Gas Hob

FEATURES

Cast iron grids

Cast-iron is the ideal material for an hob grid, this due to the manifold properties characterising it: high heat capacity that improves cooking performance; high weight and stability that improve safety; sturdiness that preserves the hob's original aspect over time; easy cleaning.

Safe cooking

All Foster cooker hobs are equipped with safety valves. They shut off the gas supply very quickly if the flame accidentally goes out.

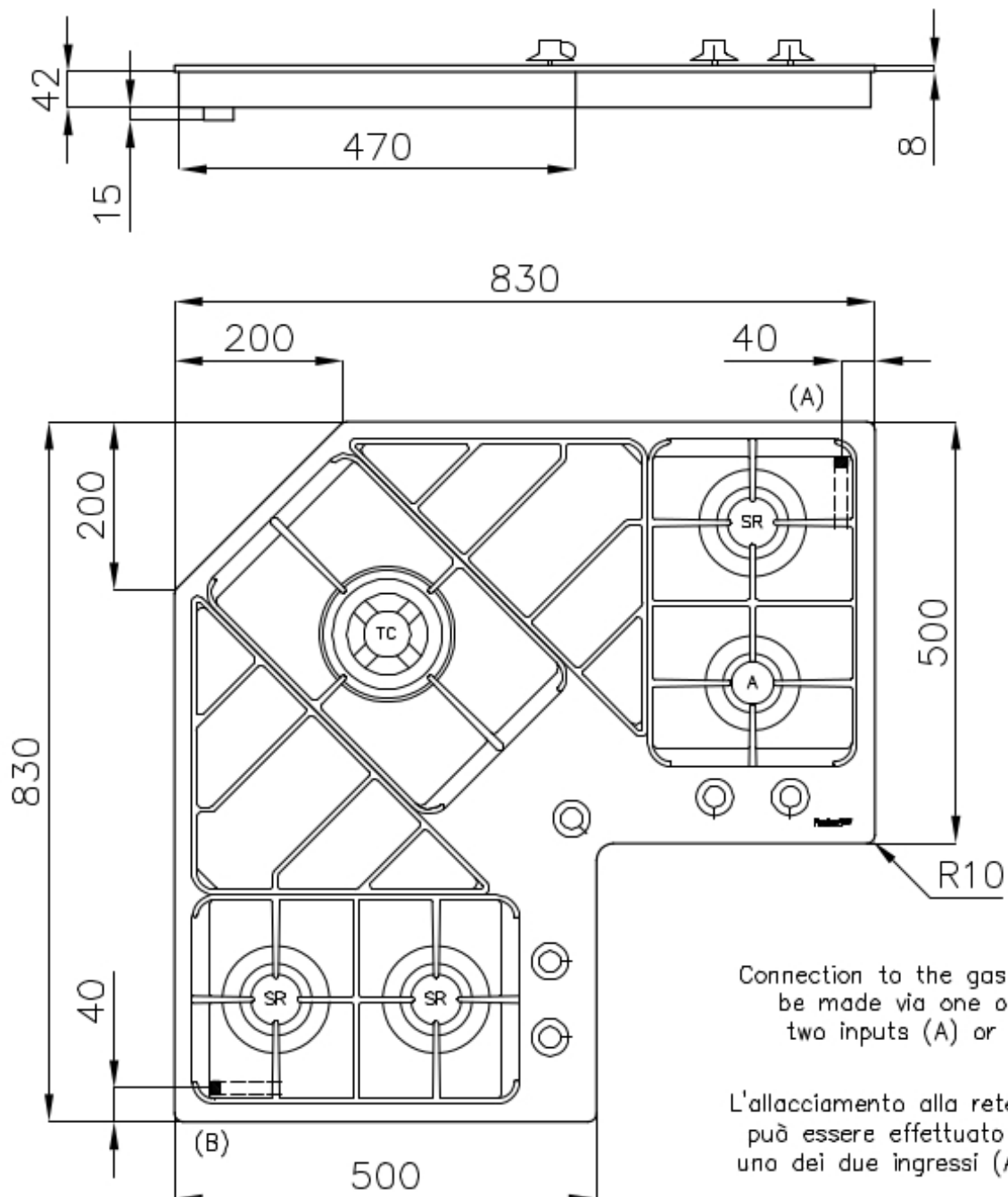
Special burners

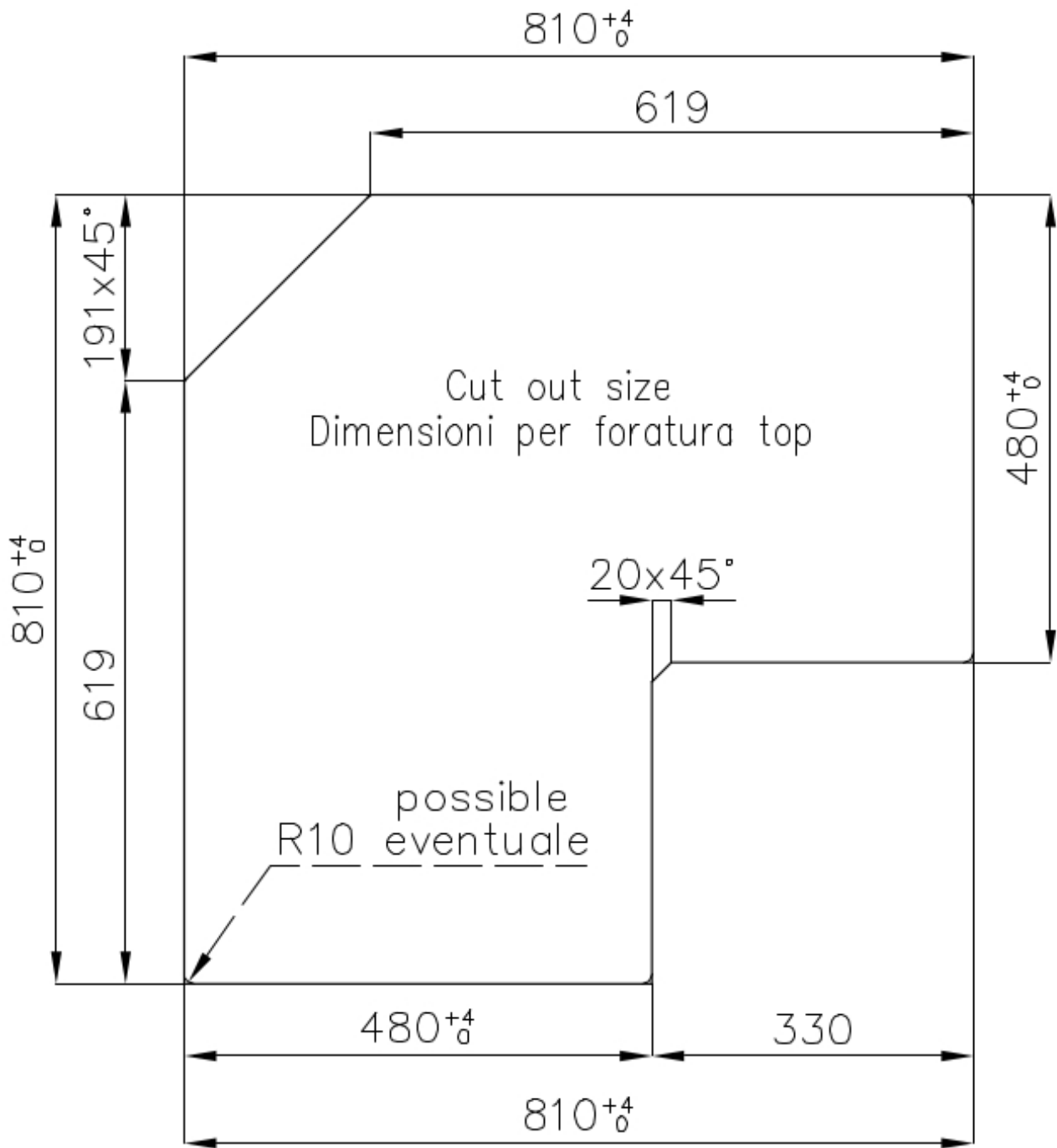
Many Foster hobs are equipped with special burners, with two or three rings of fire that greatly increase the power delivered and the heated surface. In the DUAL models the two fire crowns also have independent ignition, making these burners perfect for both intensive and delicate cooking.

Under-knob ignition

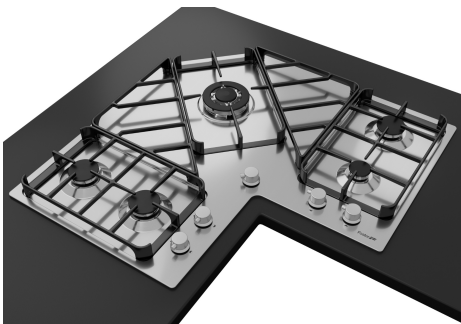
The utmost freedom of movement with electronic under-knob ignition, a common feature of all models that allows a one-hand ignition of the burner.

TECHNICAL DATA





GALLERY



OPTIONAL ACCESSORIES



Cast iron wok support
9601 668

RECOMMENDED PAIRINGS



Hood Pitagora
2439 003